



T730LEDB-WS60

SQUARE SLIM LED CANOPY

JOB INFORMATION

Type: _____
 Catalog No: _____
 Project Name: _____
 Comments: _____
 Prepared by: _____

T730LEDB

USE OF PRODUCT

The intended use of this product is in parking areas, entrances, walkways, underpasses, loading docks, or recreation areas.

HOUSING

Sealed die-cast aluminum housing with knockout located on side.

FINISH

Matt-finished, architectural bronze powdercoat over a precise chromate conversion coating. Available in standard dark polyester bronze or consult factory for made to order architectural finishes.

OPTICS

The anti-UV prismatic translucent lens is designed to shape light distribution and enhance uniformity.

LED

High output LEDs offer a minimum estimated operating life of 50,000 hours in 3000K, 4000K, 5000. LEDs placed on high performance aluminum heatsink for reduced junction temperatures and extended life.

DRIVER

Durable and long lasting LED driver operates at 120-277V with 0-10V dimming driver, -40°C Min Temp. +40°C Max Temp.

LISTINGS/COMPLIANCE

- UL - Suitable for wet locations.
- DLC

ORDERING INFO

SERIES	WATT/LUMENS	COLOR TEMPERATURE	VOLTAGE	MOUNTING
T730LEDB	WS60 - Wattage Selectable (24W, 36W, 47W, 60W) S24W - Set at 24W S36W - Set at 36W S47W - Set at 47W S60W - Set at 60W	CTS - Color Temperature Selectable (3000K, 4000K, 5000K) S30K - Set at 3000K S40K - Set at 4000K S50K - Set at 5000K	UNV - 120V-277V	SM - Surface Mount PH - Pendant hung

FINISH

- BZ¹** - Bronze
- MTO²** - Made to order
- MGTO²** - Marine Grade Made to Order

OPTIONS

- PC** - Photocell 120-277V
- MW** - Microwave Sensor
- MSR** - Standard PIR Motion Sensor Remote
- EM5W** - Emergency battery 5W

Notes

1. Bronze is standard color
2. RAL number is required

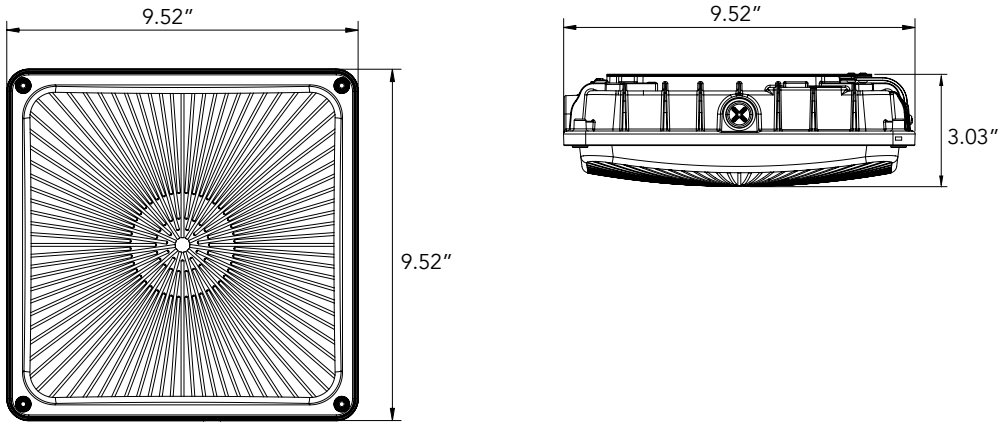
T730LEDB-WS60 PERFORMANCE CHART

SYSTEM WATTS	3000K		4000K		5000K	
	LUMENS	LPW	LUMENS	LPW	LUMENS	LPW
24W	3700 lm	154 lm/W	4000 lm	167 lm/W	3800 lm	158 lm/W
36W	5200 lm	144 lm/W	5600 lm	156 lm/W	5300 lm	147 lm/W
47W	6500 lm	138 lm/W	7000 lm	146 lm/W	6600 lm	140 lm/W
60W	7800 lm	130 lm/W	8400 lm	140 lm/W	8000 lm	133 lm/W



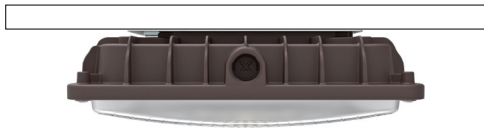
T730LEDB-WS60

DIMENSIONS

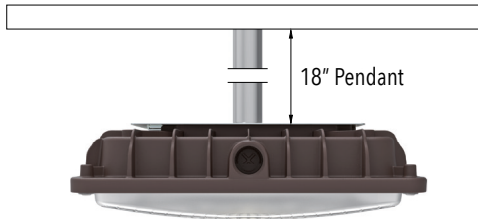


MOUNTING OPTIONS

SM - Surface Mount

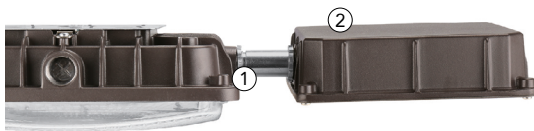


PH - Pendant Hung



OPTIONS

EM5W - Emergency Battery 5W



1. 0.5" Knockout for conduit run
2. Emergency battery

MW - Microwave Sensor



Optional build-in inside the fixture microwave sensor

MSR - Standard PIR Motion Sensor Remote



Optional remote PIR motion sensor can be installed in field